



CX REAR DERAILLEUR

INSTALLATION

1. Attach the derailleur to the rear frame dropout or derailleur hanger. See **Figure 1a**.
2. Be careful that the B-tension adjustment screw does not contact the dropout tab in a way that would cause deformation. See **Figure 1b**.
3. Secure the derailleur attachment bolt to 8 – 10Nm (70 – 86 in.lbs.).

HIGH ADJUSTMENT

Turn the “H” adjustment screw until the derailleur guide pulley is centered directly beneath the outer edge of the smallest cog. See **Figure 2**.

CABLE INSTALLATION

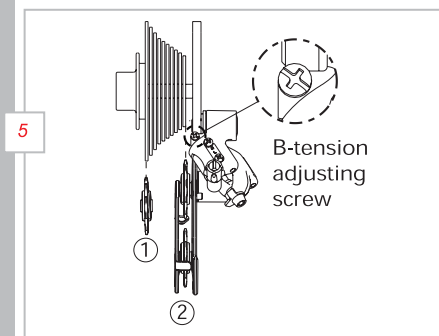
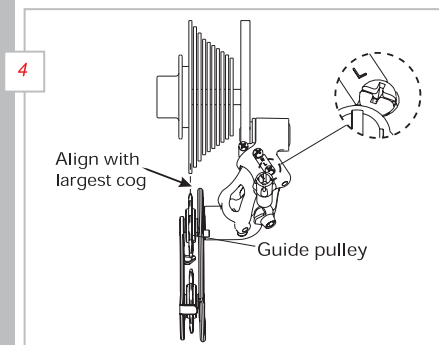
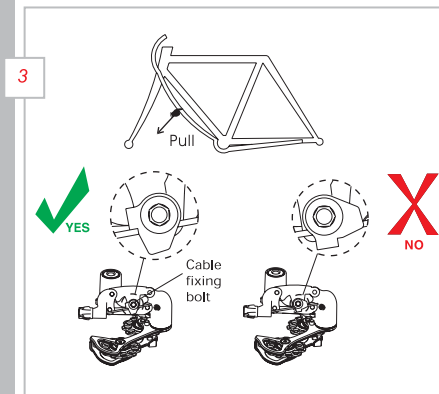
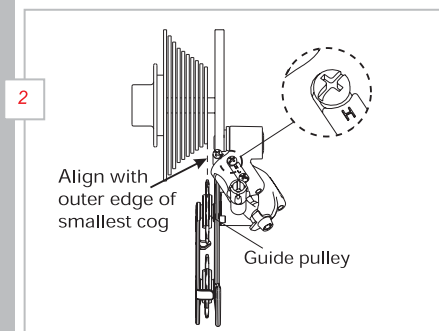
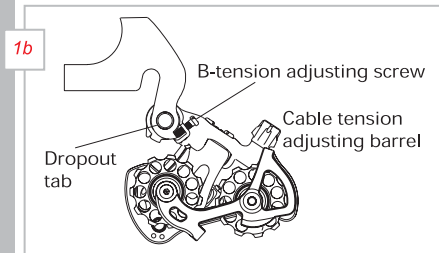
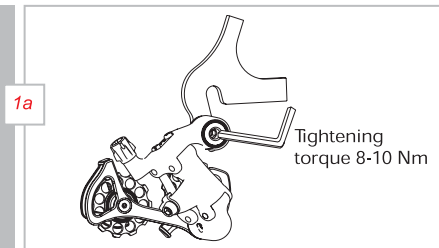
Route the inner cable from the shift/brake lever to the rear derailleur. Pull the cable tight to remove slack and secure the cable fixing bolt. Be sure the cable is properly positioned under the cable fixing bolt washer (see **Figure 3**). Grab the cable along the underside of the down tube and pull on it to stretch it. Then loosen the cable fixing bolt, pull the cable tight once again and secure it by tightening the cable fixing bolt to 5 – 7Nm (44 – 60 in.lbs.).

LOW ADJUSTMENT

Shift to the largest rear cog and turn the “L” adjustment screw until the derailleur guide pulley is centered directly beneath the largest cog. See **Figure 4**.

B-TENSION ADJUSTMENT

With the chain on the smallest chainring and largest rear cog, turn the crank backwards. Turn the B-tension adjustment screw to bring the guide pulley as close as possible to the large cog without touching it. Next, move the chain to the smallest rear cog and adjust the B-tension screw to bring the guide pulley as close as possible to the small cog without touching it. See **Figure 5**.



GEVENALLE

CX Components - Portland, Oregon
gevenalle.com - info@gevenalle.com
Made in Taiwan - Assembled in USA