



CX FRONT DERAILLEUR

INSTALLATION

1. Loosely attach the derailleur to the seat tube using the braze-on attachment or band clamp.
2. Position the derailleur so that the outer plate of the chain guide is directly above and parallel with the largest chainring, with 1 – 3mm clearance between the two. See [Figure 1](#).
3. Securely tighten the front derailleur to 5 – 7Nm (44 – 60 in.lbs.).

LOW ADJUSTMENT

With the chain on the smallest front chainring and largest rear cog, turn the low adjustment screw until the clearance between the chain and the inner plate of the chain guide is 0 – 0.5mm. See [Figure 2](#).

CABLE INSTALLATION

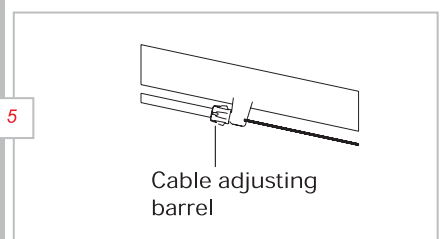
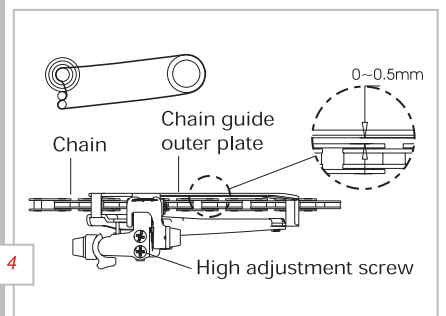
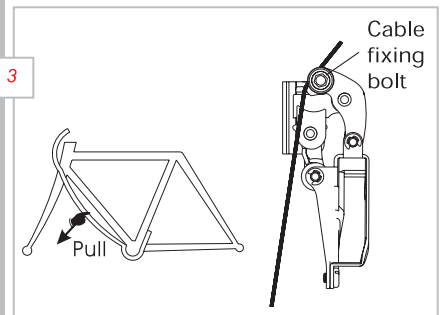
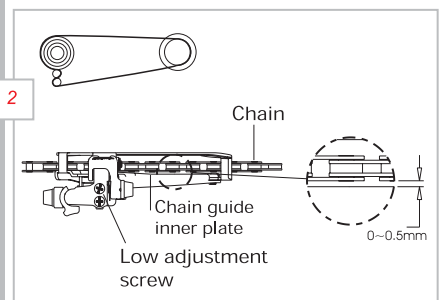
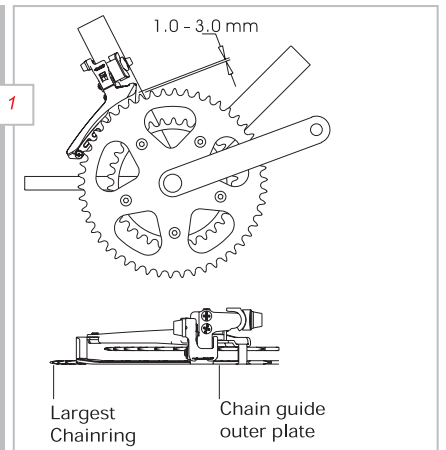
Route the inner cable from the shift/brake lever to the front derailleur. Pull the cable tight to remove slack and secure the cable fixing bolt. See [Figure 3](#). Grab the cable along the underside of the down tube and pull on it to stretch it. Then loosen the cable fixing bolt, pull the cable tight once again and secure it by tightening the cable fixing bolt to 5 – 7Nm.

HIGH ADJUSTMENT

With the chain on the largest chainring and smallest rear cog, turn the high adjustment screw until the clearance between the chain and the outer plate of the chain guide is 0 – 0.5mm. See [Figure 4](#).

CABLE TENSION ADJUSTMENT

1. If the chain does not drop from the largest to smallest chainring during a downshift, loosen the knurled cable adjusting barrel (see [Figure 5](#)) ¼ turn at a time to decrease cable tension.
2. If the chain does not climb from the smallest to largest chainring during an upshift, tighten the knurled cable adjusting barrel ¼ turn at a time to increase cable tension.



GEVENALLE

CX Components - Portland, Oregon
gevenalle.com - info@gevenalle.com
Made in Taiwan - Assembled in USA